



# FITTING INSTRUCTIONS

Part Number: **3446340**

Product **SUMMIT BULL BAR**

Description:

Suited to **Mitsubishi Triton'15 ONWARDS**  
vehicle/s:

Optional Kits: **3500590** Fog Light Kit (LH&RH Lights)

**3500640** ARB AUX Fog Light Adaptor(factory 19W fog light vehicles)

**3500530** ARB AUX Fog Light Loom (non-factory fog lamp vehicles)

**3500680** Fog Lamp Housing Clear Lens Kit

## WARNING

### REGARDING VEHICLES EQUIPPED WITH SRS AIRBAG;

When installed in accordance with these instructions, the front protection bar does not affect operation of the SRS airbag.

### ALSO, NOTE THE FOLLOWING:

- ◆ This product must be installed exactly as per these instructions using only the hardware supplied.
- ◆ In the event of damage to any bull bar component, contact your nearest authorised ARB stockist. Repairs or modifications to the impact absorption system must not be attempted.
- ◆ Do not use this product for any vehicle make or model, other than those specified by ARB.
- ◆ Do not remove labels from this bull bar.
- ◆ This product or its fixing must not be modified in any way.
- ◆ The installation of this product may require the use of specialized tools and/or techniques
- ◆ It is recommended that this product is only installed by trained personnel
- ◆ These instructions are correct as at the publication date. ARB Corporation Ltd. cannot be held responsible for the impact of any changes subsequently made by the vehicle manufacturer
- ◆ During installation, it is the duty of the installer to check correct operation/clearances of all components
- ◆ Work safely at all times
- ◆ Unless otherwise instructed, tighten fasteners to specified torque

## ARB 4x4 ACCESSORIES

Corporate Head Office

42-44 Garden St  
Kilsyth, Victoria  
AUSTRALIA 3137

Tel: +61 (3) 9761 6622  
Fax: +61 (3) 9761 6807

Australian enquiries  
North & South American enquiries  
Other international enquiries

sales@arb.com.au  
sales@arbusa.com  
exports@arb.com.au

[www.arb.com.au](http://www.arb.com.au)

# GENERAL CARE AND MAINTENANCE

By choosing an ARB Bar, you have bought a product that is one of the most sought after 4WD products in the world. Your bar is a properly engineered, reliable, quality accessory that represents excellent value. To keep your bar in original condition it is important to care and maintain it following these recommendations:



- Prior to exposure to the weather your bar should be treated to a Carnauba based polish on all exposed surfaces. It is recommended that this is performed on a six monthly basis or following exposure to salt, mud, sand or other contaminants.
- As part of any Pre Trip Preparation, or on an annual basis, it is recommended that a thorough visual inspection of the bar is carried out, making sure that all bolts and other components are torqued to the correct specification. Also check that all wiring sheaths, connectors, and fittings are free of damage. Replace any components as necessary. This service can be performed by your local authorized ARB Stockist.

## FITTING REQUIREMENTS

### REQUIRED TOOLS FOR FITMENT OF PRODUCT:

BASIC TOOL KIT	ELECTRIC DRILL WITH COMPLETE METRIC DRILL SET
JIG SAW OR MULTI-TOOL WITH BLADE SUITABLE FOR PLASTIC	LOW TACK MASKING TAPE 25mm & 50mm
FILE	UTILITY KNIFE
TAPE MEASURE	CLAMP
STEEL RULER	WHITE FELT MARKER
HACK SAW	TORQUE WRENCH 9-77Nm
TOUCH UP PAINT ANTI CORROSION	OPTIONAL: HYDRAULIC LIFT TABLE

### HAVE AVAILABLE THESE SAFETY ITEMS WHEN FITTING PRODUCT:

Protective eyewear		Hearing protection	
--------------------	---	--------------------	---

**NOTE: 'WARNING' notes in the fitting procedure relate to OHS situations, where to avoid a potentially hazardous situation it is suggested that protective safety gear be worn or a safe work procedure be employed. If these notes and warnings are not heeded, injury may result.**

### FASTENER TORQUE SETTINGS:

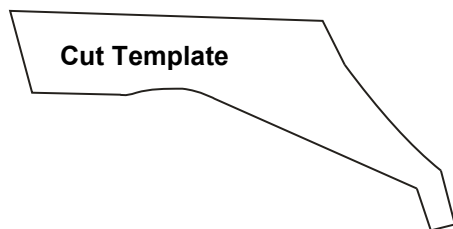
SIZE	Torque Nm	Torque lbft
M6	9Nm	7lbft
M8	22Nm	16lbft
M10	44Nm	32lbft
M12	77Nm	57lbft

## PARTS LISTING

APPLICATION.	PART NO.	QTY	DESCRIPTION
<b>FIT MOUNTS TO CHASSIS</b>	3759632R	1	BRKT MNT STEEL TRITON 15ON RHS
	3759632L	1	BRKT MNT STEEL TRITON 15ON LHS
	3759616R	1	BRKT CHASSIS INNER RHS
	3759616L	1	BRKT CHASSIS INNER LHS
	3759617R	1	BRKT CHASSIS OUTER RHS
	3759617L	1	BRKT CHASSIS OUTER LHS
	6151360	6	BOLT M12 x 1.75 35mm Gd 8.8
	6151357	12	BOLT SEMS M10 x 1.5 x 30mm Gd 8.8
	4581049	6	WASHER FLAT M12 (3mm) GOLD ZN
	4581050	6	WASHER SPRING M12 ZP
	6151321	6	NUT FLANGE M10 x 1.5 ZP
	6151428	6	NUT FLANGE M12 x 1.75 ZP
	6151089	4	BOLT M10 X 1.25 X 40MM GD 8.8 ZP
	4581040	6	WASHER FLAT M10 X 25 X 3 ZP
	5848454	2	PACKER 8mm TRITON B/BAR
	4654084	4	NUT PLATE M10 x 1.5
	3759081	4	ASSY WELD NUT T6 RP
	6151364	2	M10 X 30 SHCS
	4581048	6	WASHER SPRING M10 ZP
<b>FIT BAR TO MOUNTS</b>	3446340	1	BULL BAR TRITON '15 ON
	6151360	6	BOLT M12 x 1.75 x 35 Gd 8.8 ZP
	6151357	4	BOLT SEMS M10 X 30 ZP Gd 8.8
	4581050	6	WASHER SPRING M12 ZP
	4581049	6	WASHER FLAT M12 (3mm) GOLD ZN
	6151428	6	NUT FLANGE M12 X 1.75 ZP
	6151321	4	NUT FLANGE M10 x 1.5 ZP
<b>FIT LIGHTS AND MOULDINGS</b>	3500710	1	GRILLE SPLIT PAN KIT
	5100200	1	BUFF KIT 2PCE FRONT SECTION KIT
	5100210	1	BUFF KIT 2PCE REAR UPRIGHT BAR KIT
	6821287	1	LAMP LED INDICATOR CLEARANCE KIT
	3163082	1	SURROUND ARB FOGLIGHT KIT
	6821116	4	GROMMET NYLON SNAP IN TYPE
<b>FIT STONE GUARDS</b>	6523027	1	PANEL STONE TRAY BULLBAR TRITON
	6523028R	1	PANEL WING BULLBAR TRITON RIGHT
	6523028L	1	PANEL WING BULLBAR TRITON LEFT
	6151300	12	NUT CAGED M6 2.6-3.5
	6151546	2	BOLT HXHD M8 x 1.25 x 25 GR8.8 BTZP480
	6151711	12	SCREW BTN HD TX M6X25 BTZP480
	4581287	12	WASHER SPRING M6 x 2.5 x 1.6 BLK ZN
	4581047	2	WASHER SPRING M8 x 3/32 x 3/33 BLK ZN
	4581082	12	WASHER FLAT, M6 x 19 x 1.6 BZ
	4581075	2	WASHER FLAT, M8
	6151548	2	NUT FLANGE M8 x 1.25 ZP

FIT WINCH COVER PANEL	6522985	1	PRESS FORM WINCH COVER PANEL
	6151213	4	BOLT M6 x 1.0 x 20 Gd8.8 BZ
	4581287	4	WASHER SPRING M6 x 2.5 x 1.6 BLK ZN
	4584295	4	WASHER FLAT M6 X 13 X 1.6 BLK ZN
	6151561	4	NUT FLANGE M6 x 1.0 ZP
FIT LICENSE PLATE	3759488	1	BRACKET LIC PLATE FIXED LARGE RAD
	6151489	2	SCREW 10G x 5/8 SELF TAPPING
	6821189	2	GROMMET RND FC 1500 080 090
	6151213	3	BOLT M6 x 1.0 x 20mm Gd 8.8 BZ
	4581287	3	WASHER SPRING M6 x 2.5 x 1.6 BLK ZN
	4584295	3	WASHER FLAT M6 x 12 x 1.3 BLK ZN
MISCELLANEOUS	6191025	2	PINCH WELD 480mm
	3789379	1	BUMPER CUT TEMPLATE
	180302	5	CABLE TIE 4.8 x 180mm BLACK

## FITTING PROCEDURE



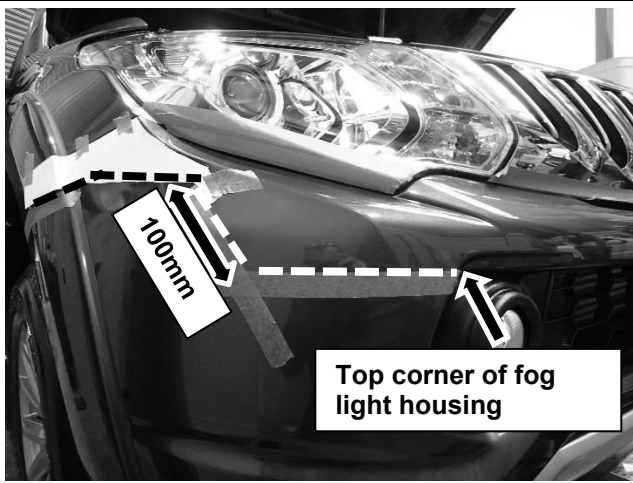
***Note: Read the instructions thoroughly before starting.***

1. Carefully cut out bumper cut template provided.



**CRITICAL: CAREFULLY:**

2. Position template onto RHS of bumper aligning with edges of bumper specified on template.
3. Apply masking tape onto bumper at area underneath template as shown.
4. Using a permanent marker, outline edges of bumper cut template onto masking tape where the bumper cut will be performed.
5. Remove template and repeat the above for LHS. Take care not to rip template upon removal.



6. From the corner of the cutting template. Mark a point 100mm down. From this point mark a horizontal line to the top corner of OE fog light housing.
7. Apply a generous amount of masking tape across top front section of bumper above intended cut line.



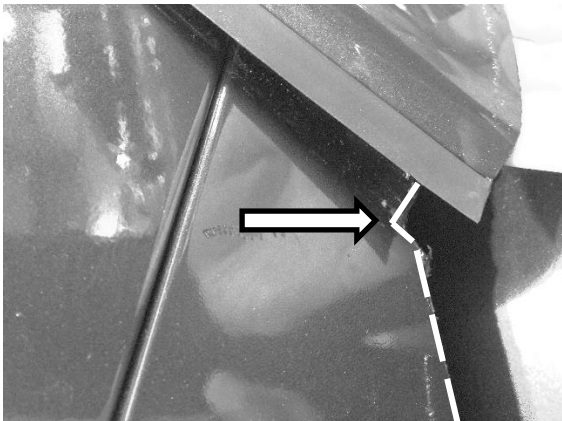
8. Using a screwdriver pry out and OE fog light. Do not worry about damaging the light. Part will be discarded. Unscrew and discard OE fog light.

9. Using a Multi-tool carefully cut along the marked lines. Continue cut through mesh section of bumper bar grill to separate lower section of bumper

**Note:** Remaining upper section of grill be pushed inwards to remove from top section of bumper



**Warning:** Cutting operations can result in flying metal debris, safety glasses should be worn.



10. Cut a notch in the bumper behind the fender flare to make fitment of pinch weld easier.



11. Remove screws from inside of wheel arch to remove cut bumper.



12. If cut has not gone through both flare and bumper skin, remove the fender flare extension and using a Multi-tool finalize the cut as shown.



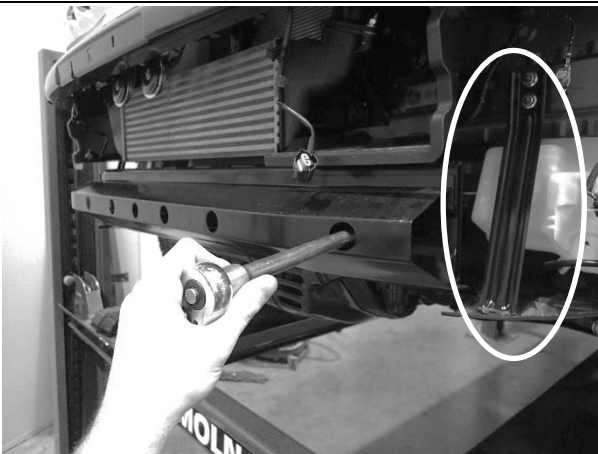
**Warning: Cutting operations can result in flying metal debris, safety glasses should be worn.**



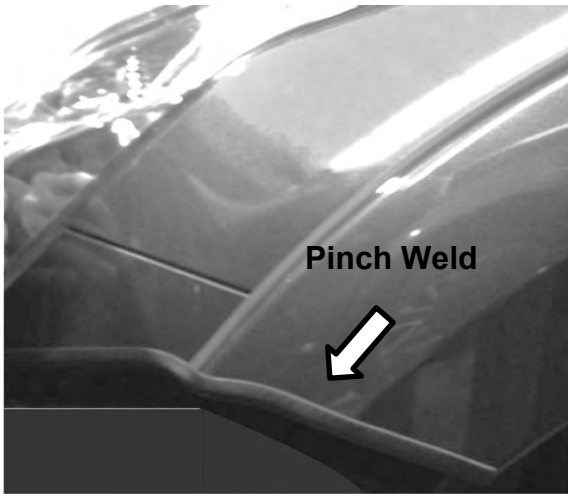
13. Remove 6 x screws from underside of bumper.

Dispose of lower section of cut bumper.

Remove OE bash plate.  
2x rear and 2x front bolts. 12mm socket.



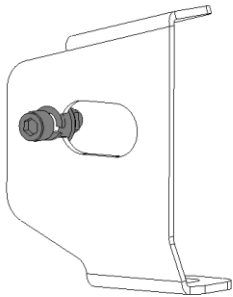
14. Use socket set to remove OEM Crash plate from outer edge of chassis.  
Remove OE lower bumper retainers and air dams.



15. Apply pinch weld to both sides of cut bumper as shown, starting from the wheel arch on the fender flare and across to the bumper.



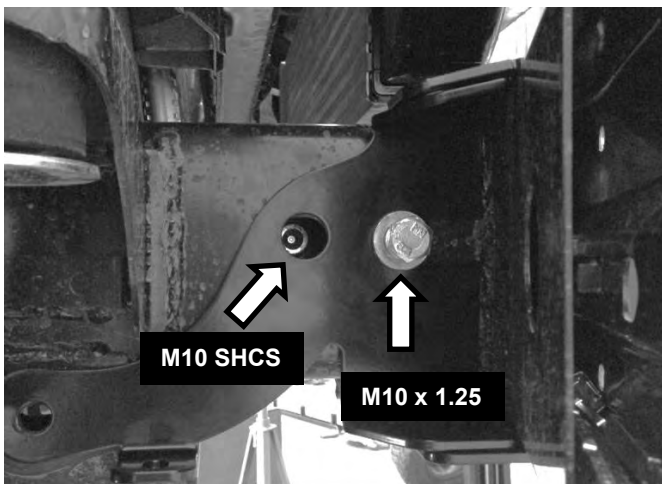
16. Finished Bumper Cut should be the same as shown.



17. Loosely fasten RHS inner bracket to chassis using M10 SHCS, M10 Spring Washer and M10 flange nut, by feeding through the outside hole in the chassis.

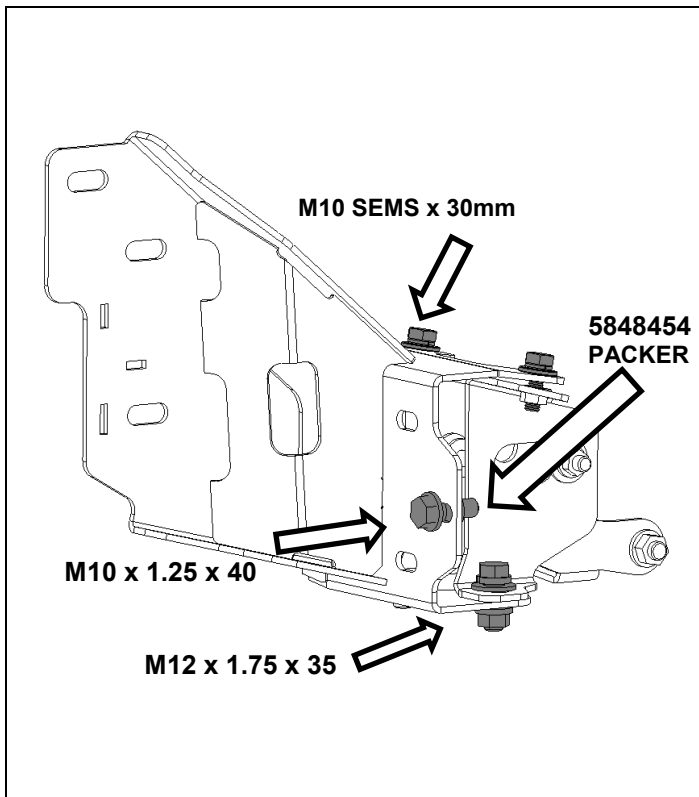
M10 washer to be used as spacer between bracket and chassis.

**Hint:** Tape bolt to allen key to avoid losing it in chassis.



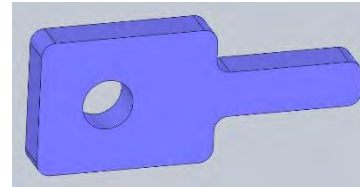
18. Use M10 x 1.25 x 40mm fine thread bolt, M10 Spring Washer and M10 flat washer to fasten the opposite side of the mount bracket by threading to the existing hole. Loosely fasten the rear of the bracket to the OE tow point with M12 x 1.75 x 35 Bolt, M12 Spring Washer, M12 x 1.75 flange nut and M12 Flat Washer .

**Note:** M10 washer to be used as spacer between bracket and chassis at M10 hole.

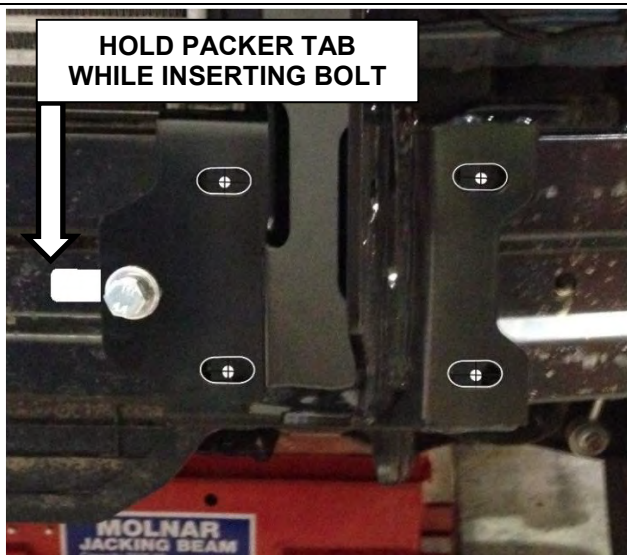


19. Lift the mount bracket towards chassis brackets and loosely fasten to chassis mount brackets using 2x M10x1.5x30mm SEMS bolt assemblies, 2x M10x1.5 flange nuts, 2x M12x1.75x35 bolts, 2 x M12 Spring Washers, 2x M12 Flat Washers and 2x M12 x 1.5 flange nuts.

Use 1 x M10 x1.25 Bolt, 1x M10 Spring Washer and 1x M10 Flat Washer to fasten face of mount assembly to existing hole in chassis. Whilst feeding fine thread bolts through, position packer between mount bracket and chassis to act as spacer.

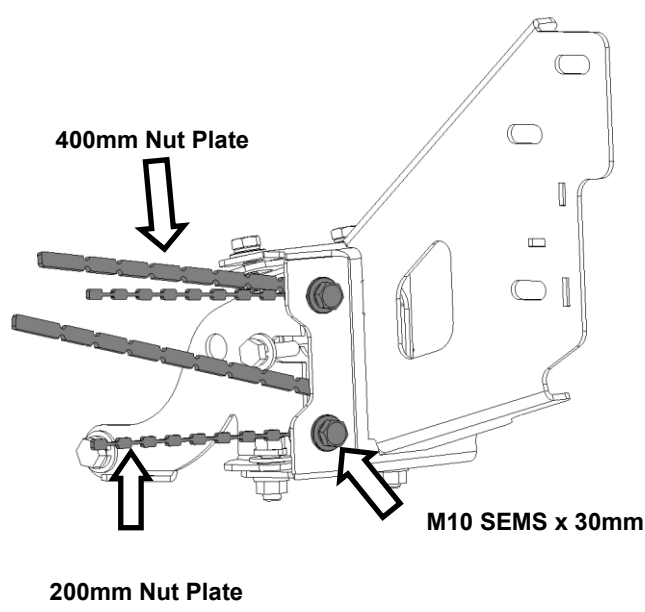


Repeat steps 17 – 19 for LHS



20. Mark up centres for drilling out four holes, using slots on the front of each mount assembly as a guide. Using these markings, drill 8x Ø11mm holes through the crash beam.


**Warning:** Drilling operations can result in flying metal debris, safety glasses should be worn.




21. Feed M10 nut plates into the side of the chassis, and use 8x M10 SEMS bolt assemblies to secure the front face of the mount assembly to the plates.

**Note:** Use longer nut plates to reach the two inner drilled holes, and the remaining shorter ones for the outer holes.

Move chassis bracket as far forward as possible and then tighten starting with bolts on underside of chassis.

 M12 – 77Nm

 M10 – 44Nm



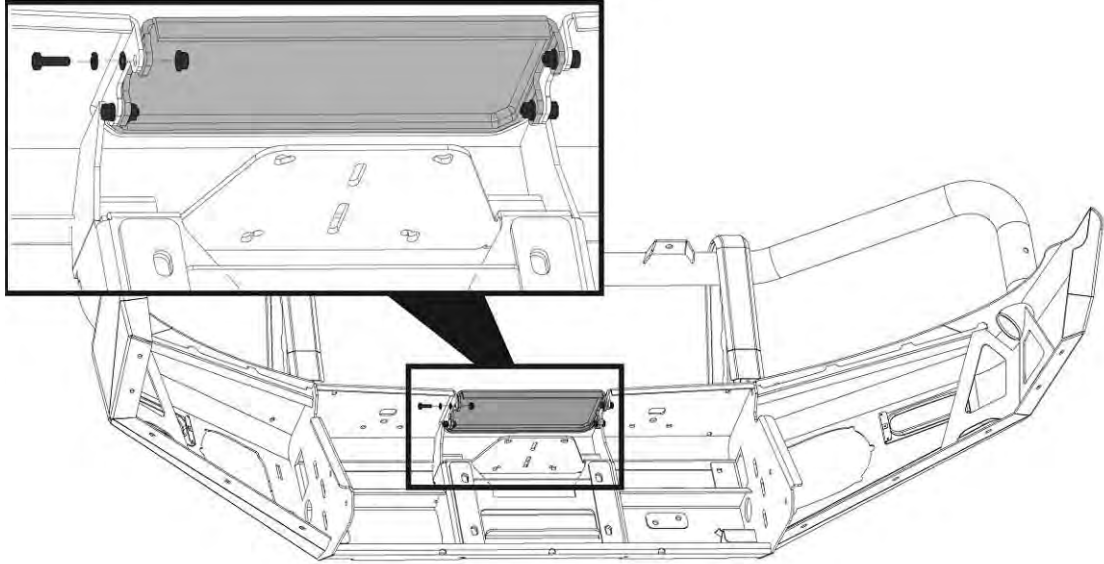
## FITTING PROCEDURE

**Note: If fitting a winch proceed from here using fitting instructions 3789337 supplied with 3500720 winch install kit. Once the winch is fitted please continue to step 25. If no winch is being fitted continue from here.**

22. Slide the winch cover panel from the bottom up until it is level with the top face of the bar.

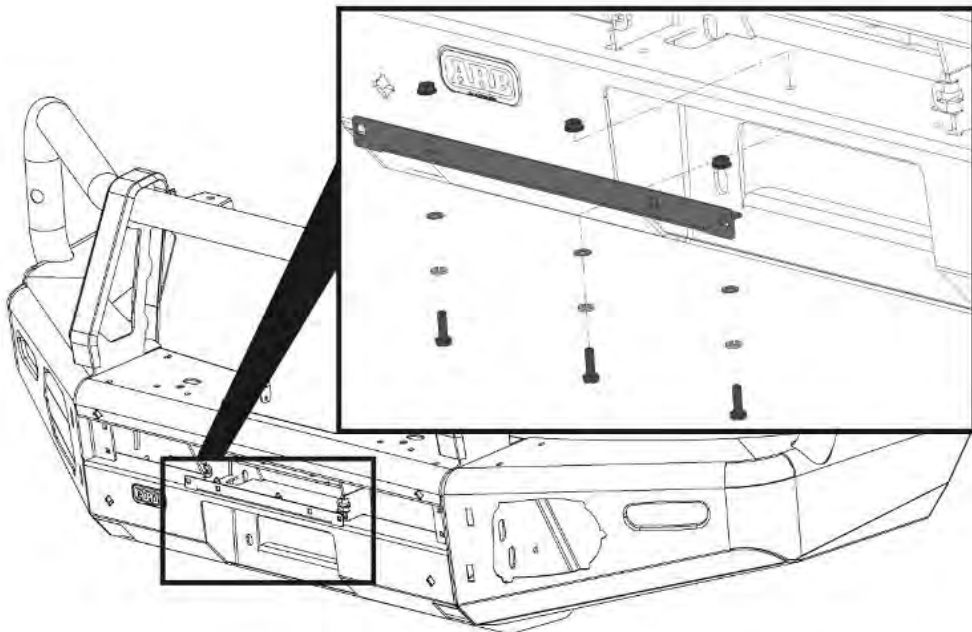
23. Fit the winch cover panel to the bar using 4 x M6 x 20 hex bolts, spring washers, flat washers and flange nuts.

**Warning: Be careful not to scratch the finish of the winch cover panel.**



24. Fit the number plate bracket to the top face of the lower-centre pan on the bar using 3 x M6 x 20 hex bolts, spring washers, flat washers and flange nuts.

**Note: If you are fitting a winch, fit the folding number plate bracket supplied in winch install kit "3500720 WINCH INSTALL KIT" – See fitting instructions 3789337**



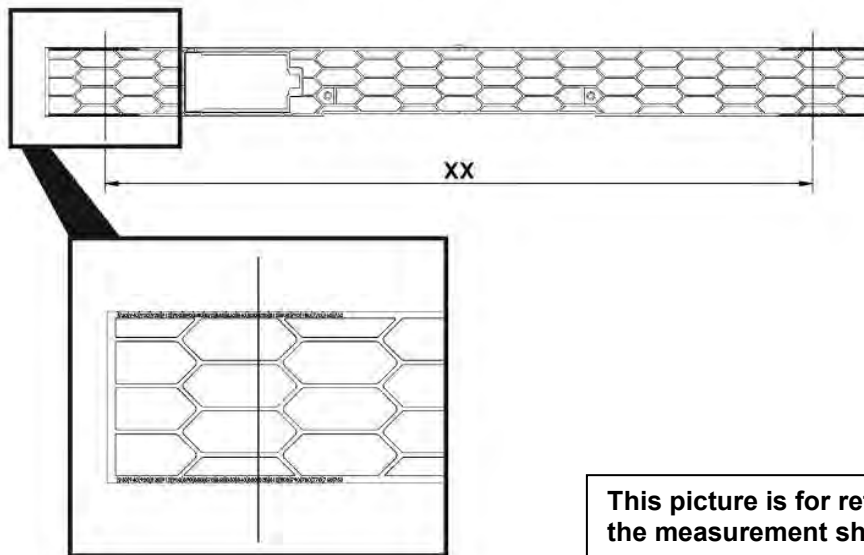
**Note: The following steps show the fitment of the plastic moulded parts. The mouldings are supplied in kits along with all fasteners required for fitment. It is important that the fasteners supplied with each kit are only used for the mouldings from the same kit. The kits included in this bar kit are as follows:**

25. Layout the contents of each of the following kits ensuring the contents are kept separate from each other.

Kit No.	Description
5100200	BUFF KIT 2PCE FRONT SECTION
5100210	BUFF KIT 2PCE REAR UPRIGHT BAR
3500710	SPLIT PAN MESH GRILL LRG RAD
3163082	FOG SURROUND KIT

26. Mark the grille panel to be cut at the 760 mm marks at each end on the back face.

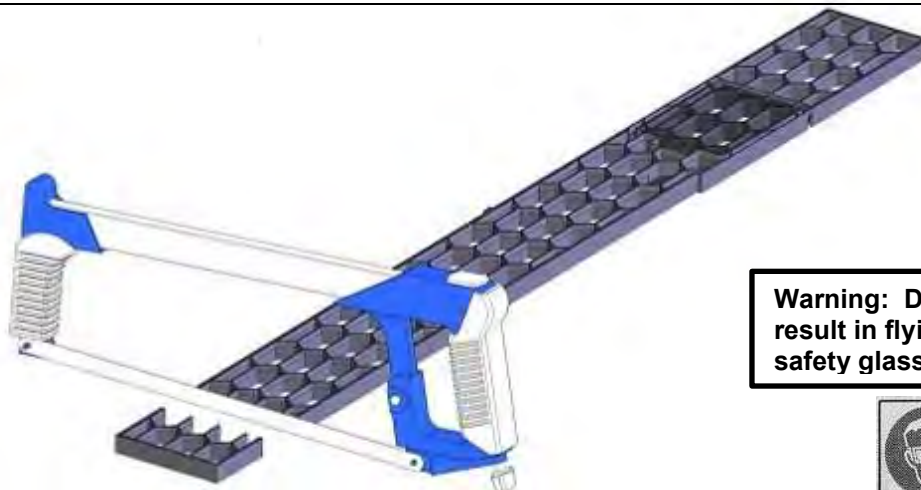
**Note: When marked, double check the measurement with a measuring tool.**



**This picture is for reference only. Use the measurement shown above.**

27. Use a hacksaw or similar cutting tool to carefully cut the grille panel at the positions marked in the step above.

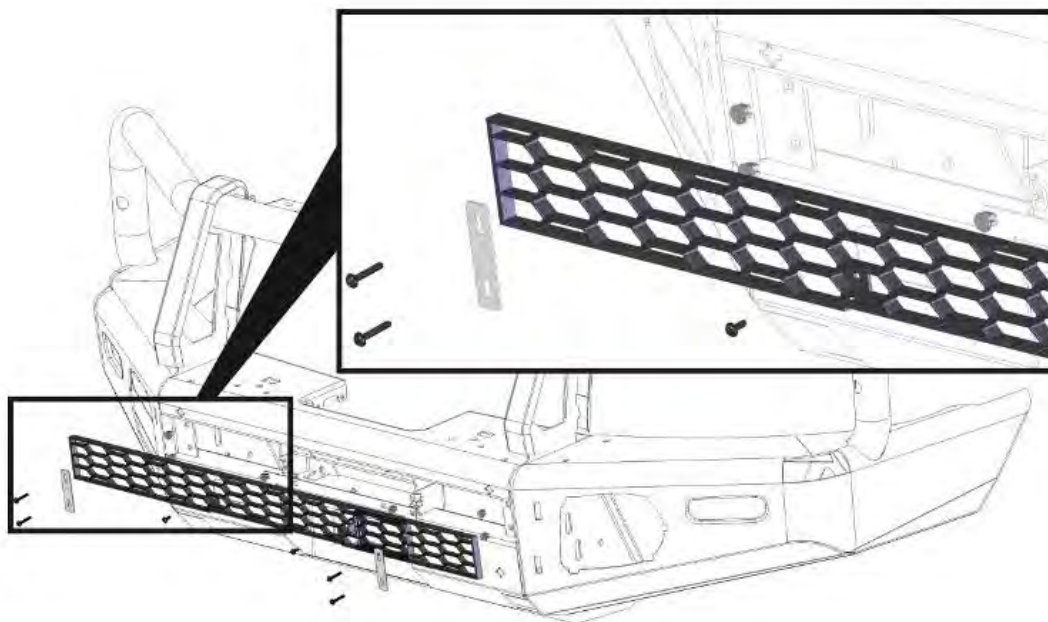
28. Discard the off cuts and clean up the cut edges using a file or sandpaper.



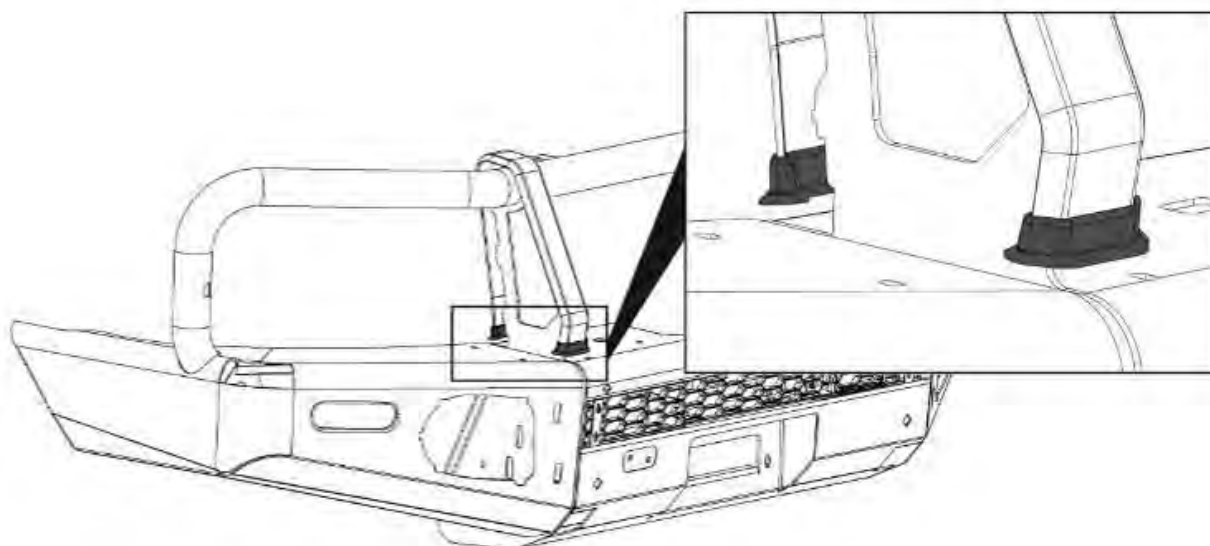
**Warning: Drilling operations can result in flying metal debris, safety glasses should be worn.**



29. Insert the 6 x plastic grommets into the 6 square holes in the front face of the bar.
30. Insert the grille into the bar so that the hatch is on your right hand side (facing the front of the bar).
31. Attach the grille to the centre of the bar using the short screws into the grommets fitted above.
32. Attach the ends of the grille to the bar using the longer screws, through the clamp plates into the remaining grommets.



33. Fit the rubber intersection mouldings to the base of each upright cover strap.



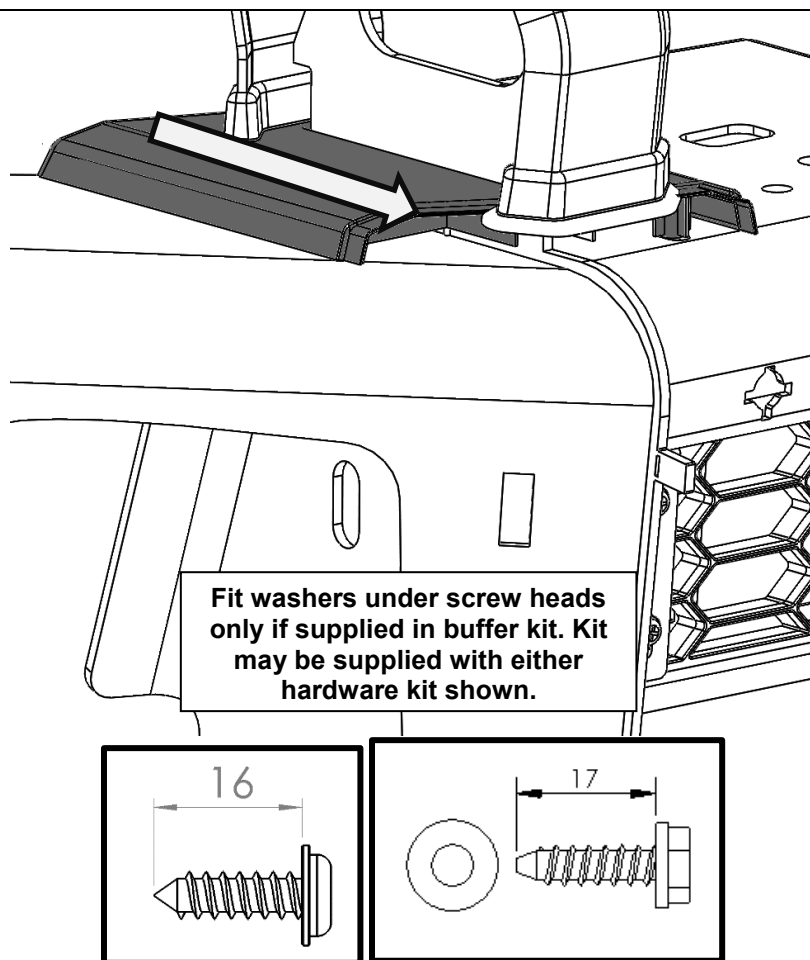
**Note: If buffer kits 5100200 or 5100210 display an orange label, washers will be supplied in the kit which must be fitted with screws. If label is white, no washers are supplied, nor required.**



34. From the rear of the bar, slide the rear buffer sections under the rubber mouldings.

Fit 4x screws and washers (if supplied) Do not tighten screws. Leave enough play in buffers for adjustment later.

**Note: Ensure that the skirts of the rubber intersection mouldings are not folded back on themselves and are sitting flat against the buffers.**

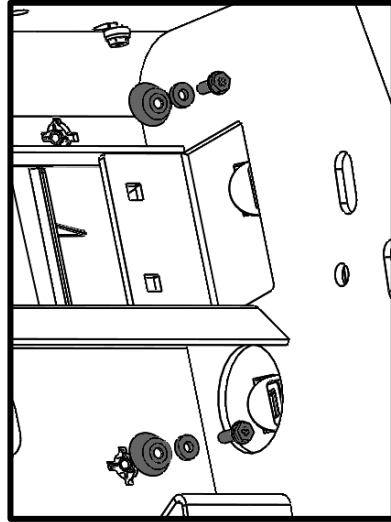
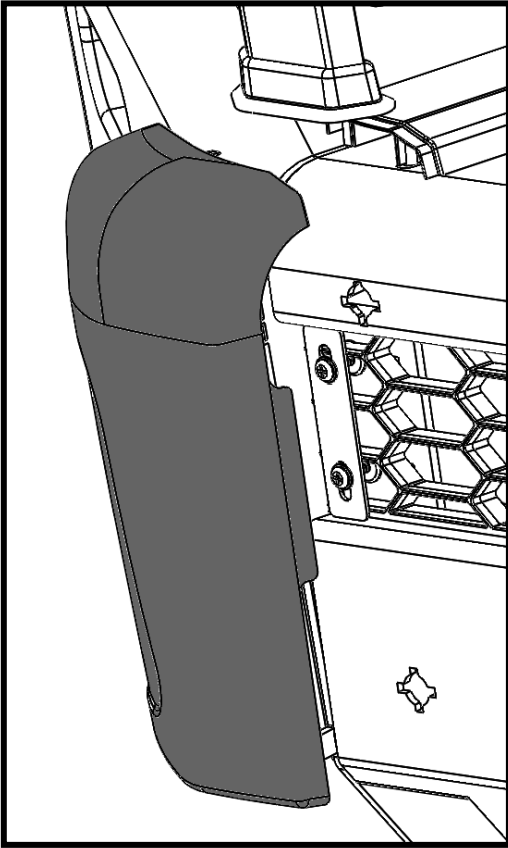


35. By aligning the front buffer with the tongue of the rear buffer, attach the front buffers to the front face of the bar. Ensure each buffer sits flat against the face of bar and is keyed into the top section of the rear buffer.

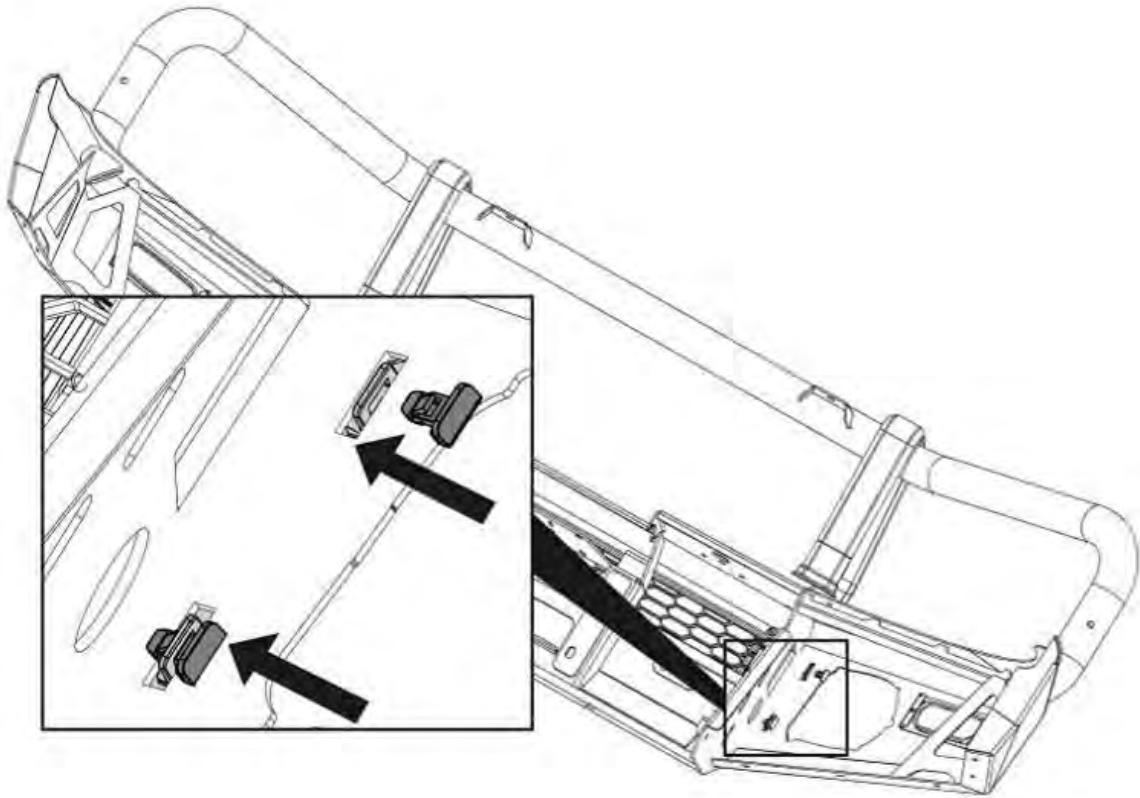
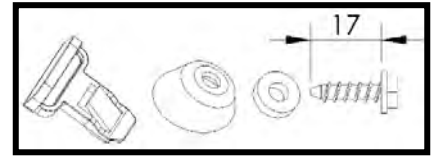
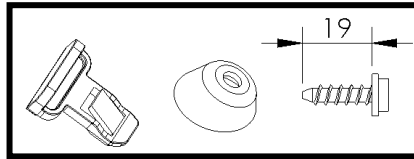
Secure wing side using retaining clips.

Secure inner side using the angled cup washers, flat washers (if supplied) and screws.

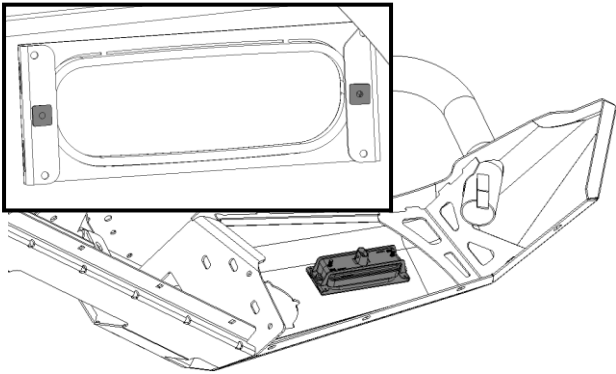
**The widest point of the cup washers goes to the top of the bar.**



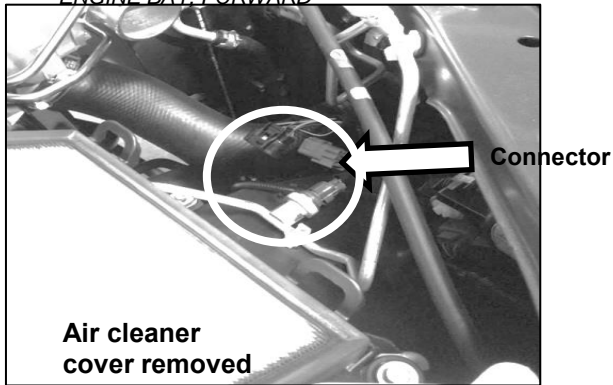
Fit washers under screw heads only if supplied in buffer kit. Kit may be supplied with either hardware kit shown.



## FITTING PROCEDURE



VIEW FROM PASSENGER SIDE OF  
ENGINE BAY, FORWARD



36. Fit the small plastic grommets to the bar and attach the combination LED lamps to the bar using the screws provided with the lamp kit.
37. Wire the combination lamp (kit: 6821287) to the vehicles indicator and clearance  
**Caution: Cable tie all cables together and keep all cables clear of sharp edges and moving parts.**  
**Connector pin positions are as follows:**

TOP OF CONNECTOR			
1	2	3	4
5	6	7	8

**LHS Wiring:**

**Clearance: Light Blue (pin 3)**  
**Left Indicator: Blue/White (pin 1)**  
**Earth: Black (pin 5)**

**RHS Wiring:**

**Clearance: Red (pin 3)**  
**Right Indicator: Yellow/Black (pin 1)**  
**Earth: Black (pin 5)**

**Note: For better access to RHS light wiring, remove air cleaner cover.**  
**If fitting driving lights.**  
**High beam trigger: Purple (Pin 4)**



38. Assemble and install combination light surrounds (p/n 3163082) as per instructions no. 3789190 supplied with surround kit. Note: Optional fog lamps can be installed at this point as per fitting instruction supplied with fog lamp kit no. 3500590

Note: OE fog lights are 19W, therefore relay adapter loom 3500640 is required to supply the higher power ARB 55W fog lights.

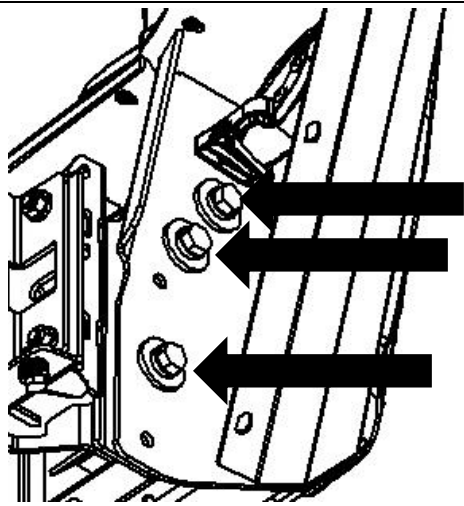
**CAUTION: Cable-tie all cables together and keep all cables clear of sharp edges and all moving parts.**

39. Check the operation of all lights wired during bar fitment



40. With the assistance of another person, place the bar on the mount brackets.


**Warning: Due to the weight of the bar and winch if fitted, it is advised that you use some form of mechanical assistance when lifting the bar onto the vehicle such as an elevating trolley.**




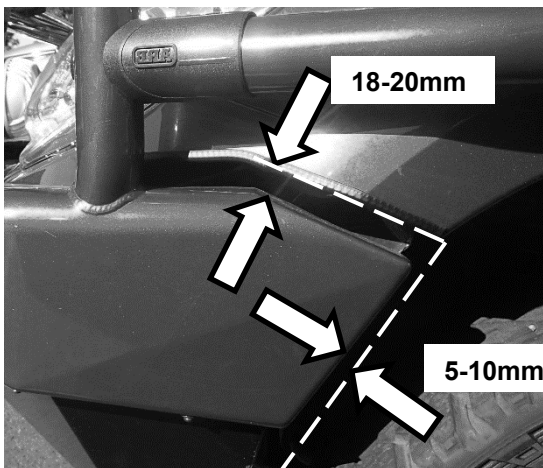
41. Loosely fasten bar to mounts using 6x M12x1.75x35mm bolts, 6x M12 spring washers, 6x M12 flat washers and 6X M12 flange nuts.



42. Adjust position of bar left/right until it's sitting central to body, then tighten all fasteners joining mount assembly to chassis brackets (6x M10 SEMS, 2x M10x1.25 and 2x M12 bolts each side).

 M12 – 77Nm

 M10 – 44Nm




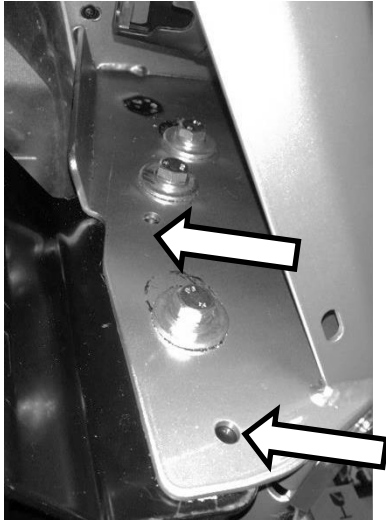
43. Position the bar so that:

- a. It is level with the bumper cut profile as shown.
- b. There is an even gap of 18-20mm between the wing edge and bumper cut trim.
- c. So there is at least 10mm clearance between bar and bumper at the front of the vehicle.

**Note:** Rear edge of bar may not be tangent to wheel arch.

44. Once bar is visually in correct position, tighten 6x M12 fasteners joining bull bar to mount assembly.


 M12 – 77Nm



45. Drill 4x Ø11mm pinning holes (2 per side) through mount assembly using existing holes in bull bar as guide.

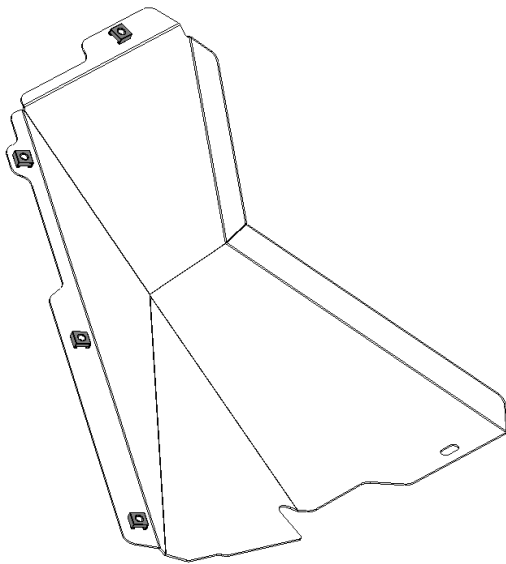
46. Add anti-corrosion touch up paint to area drilled.

47. Fasten 4x M10 SEMS bolts and flange nuts to pinning holes.

 M10 – 44Nm

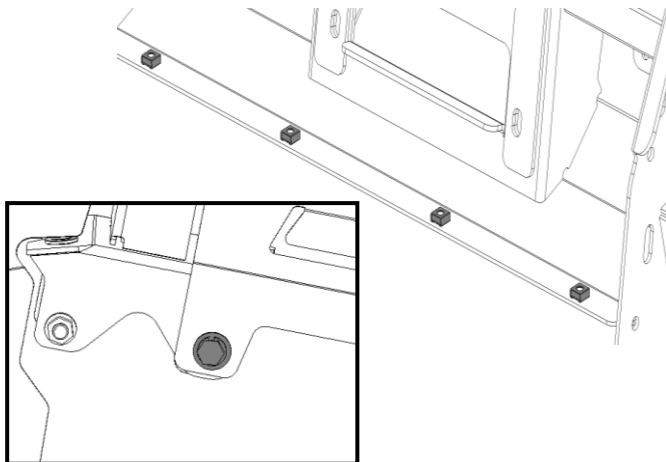
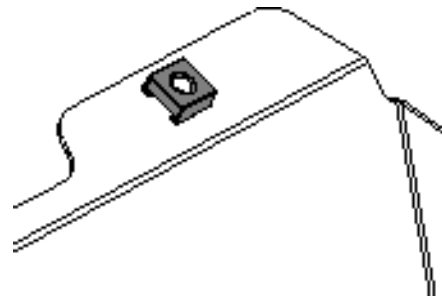


**Warning: Drilling operations can result in flying metal debris, safety glasses should be worn.**



48. Fit 4x M6 cage nuts to each wing under panel.

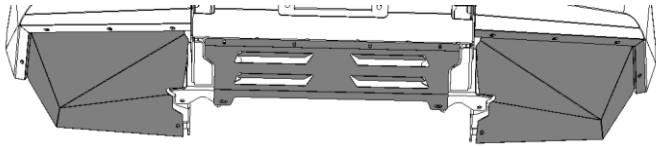
**Note:** Cage nut heads to be located on top side.



49. Fit 4x M6 cage nuts to bull bar and loosen and remove inner M10 SEMS bolt assembly on mount assembly.

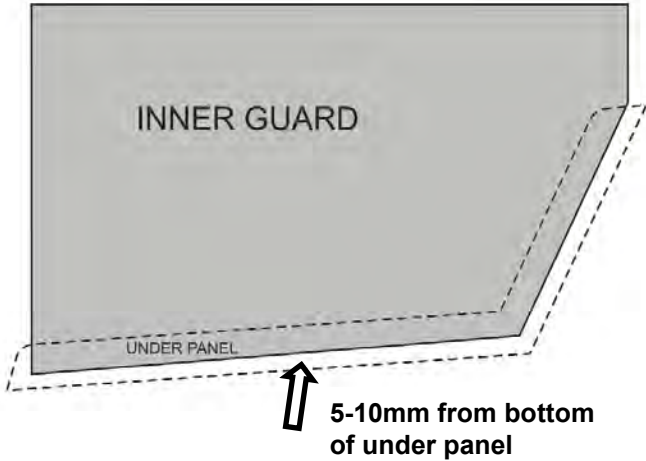
**Note:** Cage nut heads to be located on top side of bull bar lip.





50. Fasten stone tray and wing under panels to bull bar using 12x button head screws, 12x M6 spring washers, 12x M6 flat washers, 2x M8x1.25x25mm bolts, 2x M8 spring washers, 2x M8 flat washers large O.D. (26mm) and 2x M8 flange nuts.  
Refit OEM stone tray. Bend corners circled upward by hand approximately 10mm to clear bullbar mounts

 M6 – 9Nm  M8 – 22Nm

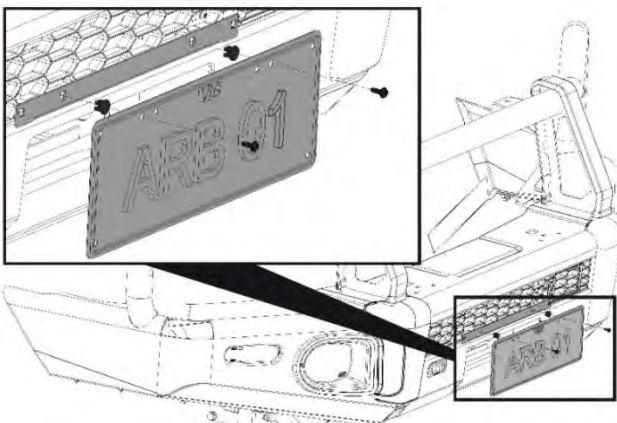


51. Mark lines onto the OEM inner guards (LH & RH) using wing under panels as guide ensuring enough guard remains so that it may be neatly tucked/secured behind wing under panel lip.

52. Carefully cut along marked lines using a multi tool or jig-saw.



**Warning:** Cutting operations can result in flying metal debris, safety glasses should be worn.



53. Fit the plastic plugs into the square holes in the licence plate bracket. Fit the licence plate to the bull bar using the black self-tapping screws.

54. Discard of all remaining fasteners left over.

#### FINAL CHECKS:

- Check wiring connections to fitted lights and winch.
- Check operation of winch and all lights.
- **IMPORTANT: Check that all piping and wiring is clear of sharp edges and pinch points. Adjust any piping to clear the bull bar or mounts by a minimum of 15mm.**

## FITTED PRODUCT – Mitsubishi Triton Summit bull bar

